



**TEAMPEGASO**



**G.S.E.**

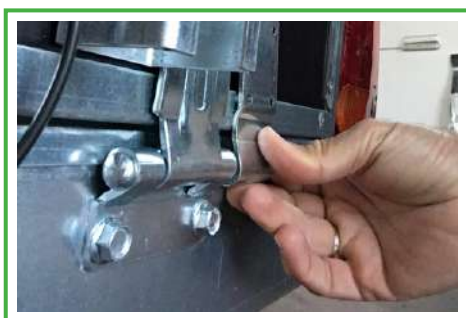
**Ground  
Support  
Equipment**



TEAMPEGASO

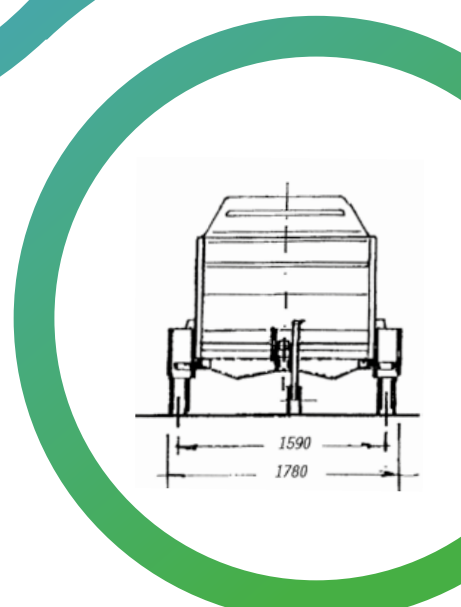
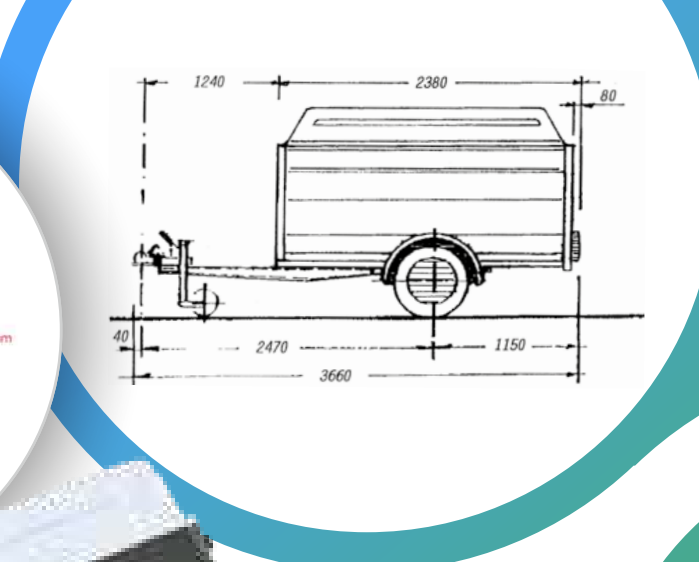
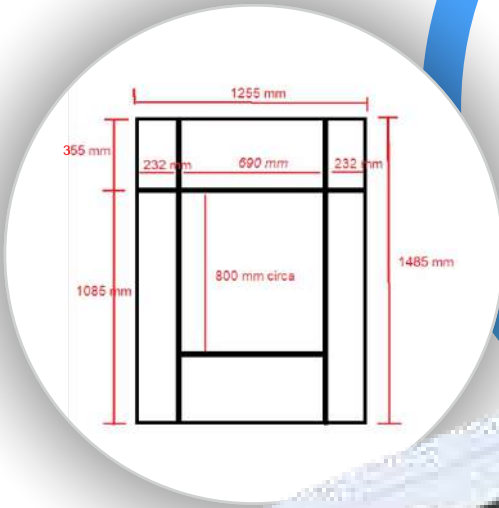
## PT6F

Trolley for  
goods transport



### Features

- Rear edge reinforcement to increase the capacity and slope facilitation to facilitate the loading and unloading of goods with:
  - a) new hinges of the lower side
  - b) adoption of aluminum panels
  - c) 4 mm thick final sheet
  - d) central sheet metal to eliminate the step between the side and the floor
- Internal sides reinforcement with:
  - a) adoption of horizontal bars
- Feet for parking
  - a) installation n. 2 or 4 feet for prolonged parking
- Internal document pocket
- Logos and external signs



MAX WEIGHT	Payload	MAX DIMENSION	LOADING VOLUME	LOADING HEIGHT	WHEEL
750/600/450 Kg	420/270/120 Kg	366x178x185h cm	226x130x143h cm	38 cm	155 R13

## FEATURE

- Profiled frame in hot galvanized thick sheet metal
- Loading surface in non-slip marine plywood
- Large diameter automotive-type wheels
- Sturdy ring hooks to securely attach any type of load
- Hot-dip galvanized parking wheel with bearing for minimum lifting effort





TEAMPEGASO

## PT6F

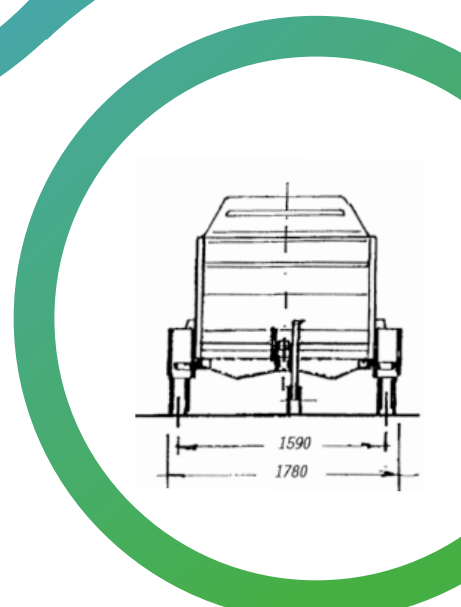
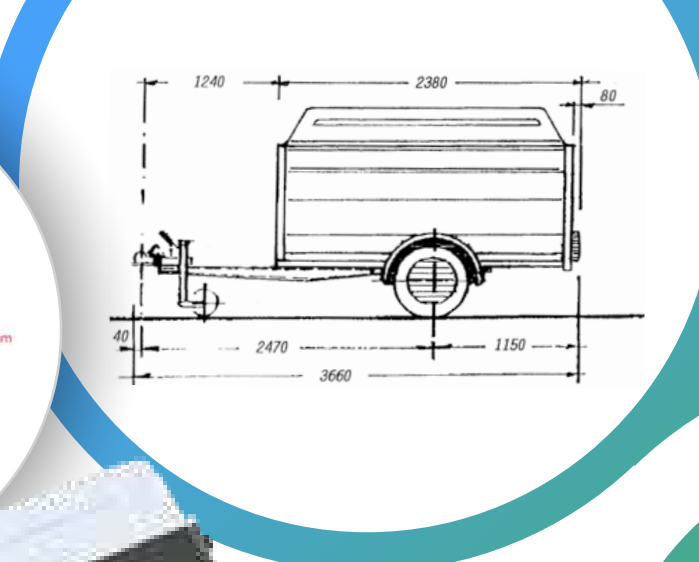
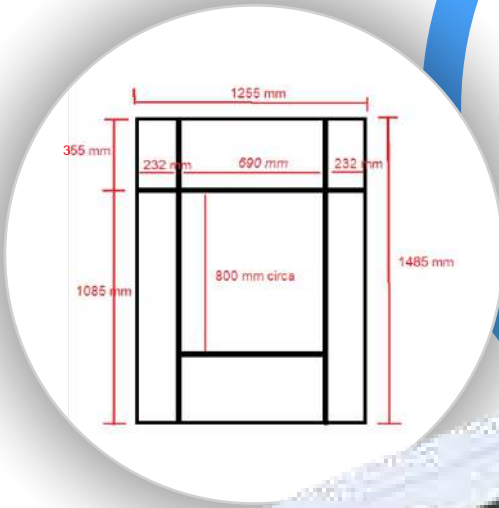
**Raised Trolley  
for goods transport  
with Nitrogen cylinder**



### FEATURES

- Rear edge reinforcement to increase the capacity and slope facilitation to facilitate the loading and unloading of goods with:
  - a) new hinges of the lower side
  - b) adoption of aluminum panels
  - c) 4 mm thick final sheet
  - d) central sheet metal to eliminate the step between the side and the floor
- Internal sides reinforcement with:
  - a) adoption of horizontal bars
- Height variation of the sides with:
  - a) adoption of extension sides based on the required height
- Feet for parking
  - a) installation n. 2 or 4 feet for prolonged parking
- High and low pressure nitrogen system installation:
  - a) high pressure nitrogen regulator
  - b) low pressure nitrogen regulator
  - c) low pressure nitrogen reel of 25 meters
  - d) quick couplings and high pressure nitrogen pipes
  - e) housing nitrogen cylinder/s
- Internal document pocket
- Logos and external signs





MAX WEIGHT	PAYLOAD	MAX DIMENSION	LOADING VOLUME	LOADING HEIGHT	WHEEL
750/600/450 Kg	420/270/120 Kg	366x178x225h cm	226x130x183h cm	38 cm	155 R13

## FEATURES

- Profiled frame in hot galvanized thick sheet metal
- Loading surface in non-slip marine plywood
- Large diameter automotive-type wheels
- Sturdy ring hooks to securely attach any type of load
- Hot-dip galvanized parking wheel with bearing for minimum lifting effort



TEAMPEGASO

Head Quarter | Loc. Quarto Inferiore 275 | 14100 ASTI | AT | ITALY  
 Registered Office | Loc. Croix Noire 73 | 11020 Saint Christophe | AO | ITALY  
 info@teampegaso.it | teampegaso@pec.teampegaso.it | www.teampegaso.it



TEAMPEGASO

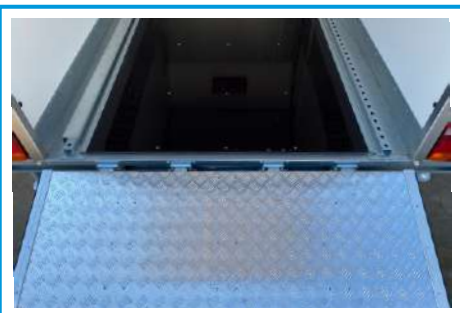
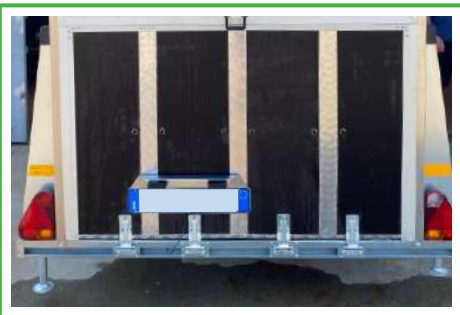
**750F**

**Trolley  
economy**

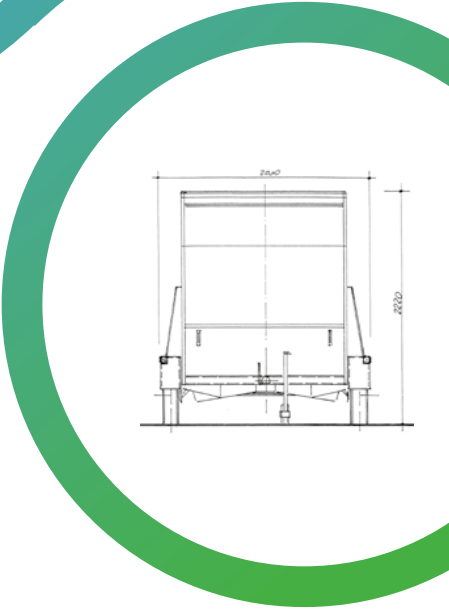
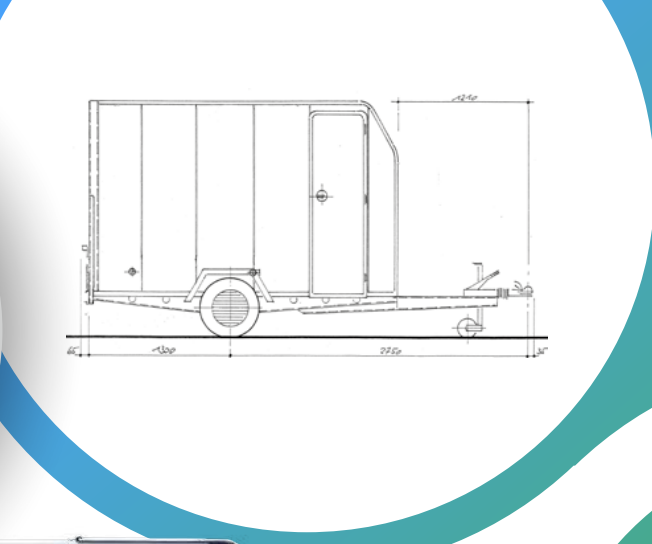


## FEATURES

- Rear edge reinforcement to increase the capacity and slope facilitation to facilitate the loading and unloading of goods with:
  - a) new hinges of the lower side
  - b) adoption of wooden panels
  - c) new side closure
  - d) final sheet thickness 0.4 mm
  - e) central sheet metal to eliminate the step between the side and the floor
- Internal sides reinforcement with:
  - a) shaped paneling in almond-shaped aluminum
- Elimination of glazing / windows due to solar radiation and internal temperature with:
  - a) adoption of shaped resin panels
- Feet for parking
  - a) installation n. 4 feet for prolonged parking
- Internal document pocket
- Logos and external signs



13



MAX WEIGHT	PAYLOAD	MAX DIMENSION	LOADING VOLUME	LOADING HEIGHT	WHEEL
1,000/750 Kg	520/270 Kg	415x200x225h cm	280x152x180h cm	42 cm	155 R13

## FEATURES

- Loading surface in non-slip marine plywood
- Aluminum loading ramp to climb on any vehicle
- Insulated fiberglass walls
- Side inspection door
- Profiled frame in hot galvanized thick sheet metal
- Large diameter automotive-type wheels
- Hot-dip galvanized parking wheel with bearing for minimum lifting effort
- Rear parking feet



TEAMPEGASO

Head Quarter | Loc. Quarto Inferiore 275 | 14100 ASTI | AT | ITALY  
 Registered Office | Loc. Croix Noire 73 | 11020 Saint Christophe | AO | ITALY  
 info@teampegaso.it | teampegaso@pec.teampegaso.it | www.teampegaso.it